

FluoroSeal Specialty Valves



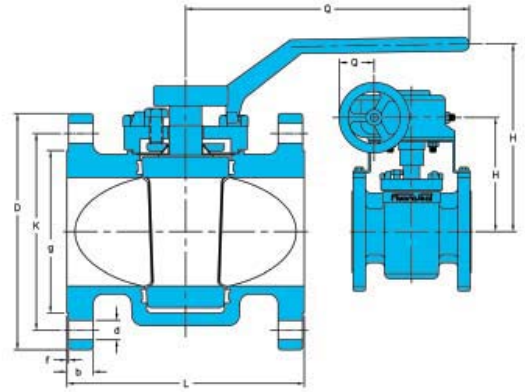
SLEEVED 2-WAY

SLEEVED PLUG VALVES — 2-WAY



2-WAY CLASS 150 LBS

Flanged Ends
 Wrench Operated
 Actuators Optional on All Sizes
 Dimensions to ANSI B16.5 & B16.10
 E = Clearance for resleeving measured from center line
 EG = Enclosed gear operated
 N = Number of holes
 Two (2) top holes in flanges are tapped with UNC threads. See Hole-UNC column
 * 2 1/2" valves are made from 3" casting, but flanges are machined to 2 1/2" dimensions



SIZE	L		H		D		K		g		b		f		d		Q		Weight		E		N	Hole-UNC
	in	mm	in	mm	in	mm	in	mm	in	mm	in	mm	in	mm	in	mm	in	mm	kg	lbs	in	mm	#	
1/2"	4.25	108.00	3.38	86.00	3.50	88.90	2.38	60.5	1.38	35.0	0.37	9.50	0.06	1.52	0.63	16.0	8.00	203.00	2.3	5			4	
3/4"	4.63	117.50	3.38	86.00	3.88	98.50	2.75	69.9	1.68	42.9	0.37	9.50	0.06	1.52	0.63	16.0	8.00	203.00	2.7	6			4	
1"	5.00	127.00	4.50	114.00	4.25	108.00	3.13	79.5	2.00	50.8	0.44	11.20	0.06	1.52	0.63	16.0	9.00	229.00	3.6	8			4	
1 1/2"	6.50	165.10	5.31	135.00	5.00	127.00	3.88	98.6	2.88	73.2	0.56	14.20	0.06	1.52	0.63	16.0	14.25	362.00	6.4	14			4	
2"	7.00	177.80	6.25	159.00	6.00	152.40	4.75	120.7	3.63	92.0	0.63	16.00	0.06	1.52	0.75	19.0	16.50	419.00	10.5	23			4	
*2 1/2"	8.00	203.20	6.56	167.00	7.50	190.50	5.50	139.7	4.13	104.6	0.75	19.00	0.06	1.52	0.75	19.0	16.50	419.00	16.4	36			4	
3"	8.00	203.20	6.56	167.00	7.50	190.50	6.00	152.4	5.00	127.0	0.75	19.00	0.06	1.52	0.75	19.0	16.50	419.00	16.4	36			4	
4"	9.00	228.60	7.63	194.00	9.00	228.60	7.50	190.5	6.19	157.2	0.94	23.90	0.06	1.52	0.75	19.0	23.63	600.00	26.8	59			8	
4" EG	9.00	228.60	9.10	231.00	9.00	228.60	7.50	190.5	6.19	157.2	0.94	23.90	0.06	1.52	0.75	19.0	7.25	184.00	35.9	79			8	
6"	10.50	266.70	10.80	274.00	11.00	279.40	9.50	241.3	8.50	215.9	1.00	25.40	0.06	1.52	0.88	22.4	7.25	184.00	55.5	122			8	
8"	11.50	292.10	12.75	324.00	13.50	342.90	11.75	298.5	10.63	269.8	1.13	28.70	0.06	1.52	0.88	22.4	9.75	248.00	100.0	220			8	3/4"-10
10"	13.00	330.20	14.68	373.00	16.00	406.40	14.25	362.0	12.75	323.9	1.19	30.20	0.06	1.52	1.00	25.4	9.75	248.00	150.0	330			12	7/8"-9
12"	14.00	355.60	16.40	417.00	19.00	482.60	17.00	431.8	15.00	381.0	1.25	31.80	0.06	1.52	1.00	25.4	10.00	254.00	198.6	437			12	7/8"-9
14"	15.00	381.00	17.40	442.00	21.00	533.40	18.75	476.3	16.25	412.8	1.38	35.10	0.06	1.52	1.12	28.4	10.00	254.00	295.0	650			12	1"-8
16"	30.00	762.00	21.29	540.72	23.00	584.20	21.25	539.75	18.50	469.90	1.38	35.05	0.06	1.52	1.13	28.58	27.50	698.50	-	-			16	
18"	34.00	863.60	21.29	540.84	25.00	635.00	22.75	577.85	21.00	533.40	1.50	38.10	0.06	1.52	1.25	31.75	27.50	698.50	-	-			16	
20"	36.00	914.40			27.00	685.80	25.00	635.00	23.00	584.20	1.62	41.15	0.06	1.52	1.25	31.75	27.50	698.50	-	-			20	
24"	42.00	1066.8	27.43	696.70	31.00	787.40	29.50	749.30	27.25	692.15	1.81	45.97	0.06	1.52	1.38	34.93	27.50	698.50	-	-			20	

2-WAY CLASS 300 LBS

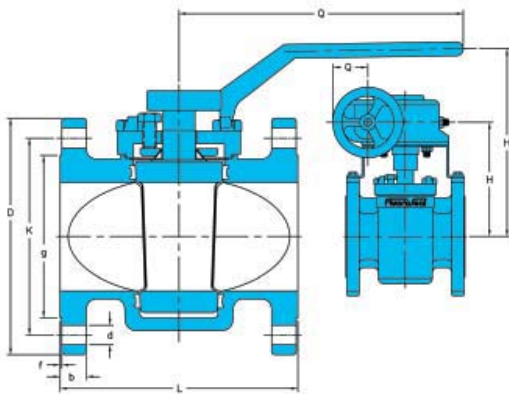
Flanged Ends
 Wrench Operated
 Actuators Optional on All Sizes
 Dimensions to ANSI B16.5 & B16.10
 E = Clearance for resleeving measured from center line
 EG = Enclosed gear operated
 N = Number of holes
 Two (2) top holes in flanges are tapped with UNC threads. See Hole-UNC column
 * 2 1/2" valves are made from 3" casting, but flanges are machined to 2 1/2" dimensions

SIZE	L		H		D		K		g		b		f		d		Q		Weight		E		N	Hole-UNC
	in	mm	in	mm	in	mm	in	mm	in	mm	in	mm	in	mm	in	mm	in	mm	kg	lbs	in	mm	#	
1/2"	5.50	139.70	3.38	86.00	3.75	95.30	2.63	66.80	1.38	35.0	0.56	14.20	0.06	1.52	0.63	16.0	8.00	203	3.2	7.0			4	
3/4"	6.00	152.40	3.38	86.00	4.63	117.60	3.25	82.60	1.69	42.7	0.63	16.00	0.06	1.52	0.75	19.00	8.00	203	4.1	9.0			4	
1"	6.50	165.10	4.50	114.00	4.88	124.00	3.50	88.90	2.00	50.8	0.69	17.50	0.06	1.52	0.75	19.00	9.00	229	5.5	12.0			4	
1 1/2"	7.50	190.50	5.31	135.00	6.13	155.70	4.50	114.30	2.88	73.2	0.81	20.60	0.06	1.52	0.88	22.40	14.25	362	9.5	21.0			4	
2"	8.50	215.90	6.25	159.00	6.50	165.10	5.00	127.00	3.63	92.0	0.88	22.40	0.06	1.52	0.75	19.00	16.50	419	13.2	29.0			8	
*2 1/2"	11.13	282.70	6.56	167.00	8.25	209.6	5.88	149.40	4.13	104.6	1.13	28.70	0.06	1.52	0.88	22.40	16.50	419	21.8	48.0			8	
3"	11.13	282.70	6.56	167.00	8.25	209.6	6.63	168.40	5.00	127.0	1.13	28.70	0.06	1.52	0.88	22.40	16.50	419	21.8	48.0			8	
4"	12.00	304.80	7.63	194.00	10.00	254.00	7.88	200.20	6.19	157.2	1.25	31.80	0.06	1.52	0.88	22.40	23.63	600	42.0	92.0			8	
4" EG	12.00	304.80	9.10	231.00	10.00	254.00	7.88	200.20	6.19	157.2	1.25	31.80	0.06	1.52	0.88	22.40	7.25	184	54.0	119.0			8	
6"	15.88	403.40	10.80	274.00	12.50	317.50	10.63	270.00	8.50	215.9	1.44	36.6	0.06	1.52	0.88	22.40	7.25	184	91.4	201.0			12	
8"	16.50	419.10	12.75	324.00	15.00	381.00	13.00	330.20	10.63	269.8	1.63	41.40	0.06	1.52	1.00	25.40	9.75	248	141.4	311.0			12	
10"	18.00	457.20	14.68	373.00	17.50	444.50	15.25	387.40	12.75	323.9	1.88	47.80	0.06	1.52	1.13	28.70	9.75	248	210.9	464.0			16	
12"	19.75	501.70	16.40	417.00	20.50	520.70	17.75	450.90	15.00	381.0	2.00	50.80	0.06	1.52	1.25	31.80	10.00	254	279.0	614.0			16	
14"	30.00	762.00	17.40	442.00	23.00	584.20	20.25	514.40	16.25	412.8	2.12	53.80	0.06	1.52	1.25	31.80	10.00	254	363.0	800.0			20	
16"	33.00	838.20	21.29	540.72	25.50	647.70	22.50	571.50	18.50	469.90	2.19	55.63	0.06	1.52	1.38	34.93	27.50	698.50	-	-			20	
18"	36.00	914.40	21.29	540.84	28.00	711.20	24.75	628.65	21.00	533.40	2.31	58.67	0.06	1.52	1.38	34.93	27.50	698.50	-	-			24	
20"	39.00	990.60			30.50	774.70	27.00	685.80	23.00	584.20	2.44	61.98	0.06	1.52	1.38	34.93	27.50	698.50	-	-			24	
24"	45.00	1143.0	27.43	696.70	36.00	914.40	32.00	812.80	27.25	692.15	2.69	68.33	0.06	1.52	1.63	41.28	27.50	698.50	-	-			24	

PLUG-ANSI-R001-2007



Fig. F602 F



2-WAY CLASS 600 LBS
 Flanged Ends
 Wrench Operated
 Actuators Optional on All Sizes

E = Clearance for resleeving measured from center line

EG = Enclosed gear operated

N = Number of holes

Two (2) top holes in flanges are tapped with UNC threads. See Hole-UNC column

SIZE	L		H		D		K		g		b		f		d		Q		Weight		E		N	Hole-UNC	
	in	mm	in	mm	in	mm	in	mm	in	mm	in	mm	in	mm	in	mm	in	mm	kg	lbs	in	mm			#
1/2"	6.50	165.10	3.38	85.70	3.75	95.30	2.62	66.50	1.38	35.10	0.56	14.20	0.25	6.35	0.62	15.70	8.00	203.20	3.6	8			4		
3/4"	7.50	190.50	3.38	85.90	4.62	117.30	3.25	82.60	1.69	42.90	0.62	15.70	0.25	6.35	0.75	19.10	8.00	203.20	5.0	11			4		
1"	8.50	215.90	4.50	114.30	4.88	124.00	3.50	88.90	2.00	50.80	0.69	17.50	0.25	6.35	0.75	19.10	9.00	228.60	7.3	16			4		
1 1/2"	9.50	241.30	5.31	134.90	6.12	155.40	4.50	114.30	2.88	73.20	0.88	22.40	0.25	6.35	0.88	22.40	14.25	362.00	12.3	27			4		
2"	11.50	292.10	6.25	158.80	6.50	165.10	5.00	127.00	3.62	91.90	1.00	25.40	0.25	6.35	0.75	19.10	16.50	419.10	18.2	40			8		
2 1/2"	13.00	330.20	6.56	166.60	7.50	190.50	5.88	149.40	4.12	104.60	1.12	28.40	0.25	6.35	0.88	22.40	16.50	419.10	-	-			8		
3"	14.00	355.60	6.56	166.60	8.25	209.60	6.62	168.10	5.00	127.00	1.25	31.80	0.25	6.35	0.88	22.40	16.50	419.10	38.6	85			8		
4"	17.00	431.80	7.53	191.10	10.75	273.10	8.50	215.90	6.19	157.20	1.50	38.10	0.25	6.35	1.00	25.40	23.63	600.20	68.2	150			8		
4" EG	17.00	431.80	9.10	231.10	10.75	273.10	8.50	215.90	6.19	157.20	1.50	38.10	0.25	6.35	1.00	25.40	7.25	184.20	81.8	180			8		
6"	22.00	558.80	10.80	274.30	14.00	355.60	11.50	292.10	8.50	215.90	1.88	47.80	0.25	6.35	1.12	28.40	7.25	184.20	152.3	335			12		
8"	26.00	660.40	12.75	323.90	16.50	419.10	13.75	349.30	10.62	269.70	2.19	55.60	0.25	6.35	1.25	31.80	9.75	247.70	222.7	490			12		
10"	31.00	787.40	14.68	372.90	20.00	508.00	17.00	431.80	12.75	323.90	2.50	63.50	0.25	6.35	1.38	35.10	9.75	247.70	-	-			16		
12"	33.00	838.20	16.40	416.60	22.00	558.80	19.25	489.00	15.00	381.00	2.62	66.50	0.25	6.35	1.38	35.10	13.75	349.30	-	-			20		
14"	35.00	889.00	15.66	397.84	23.75	603.25	20.75	527.05	16.25	412.75	2.75	69.85	0.25	6.35	1.50	38.10	27.50	698.50	-	-			20		
16"	39.00	990.60	21.29	540.72	27.00	685.80	23.75	603.25	18.50	469.90	3.00	76.20	0.25	6.35	1.63	41.28	27.5	698.50	-	-			20		
18"																									
20"																									
24"																									

PLUG-ANSI-R001-2007

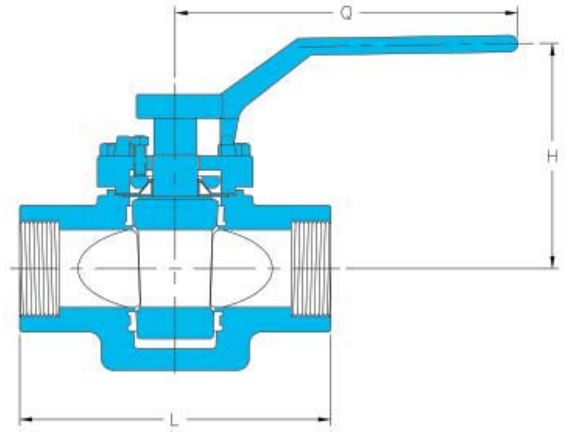
SLEEVED PLUG VALVES — 2-WAY

2-WAY CLASS 150/300 LBS

Screwed Ends
Wrench Operated
Actuators Optional on All Sizes

Dimensions to ANSI B16.11

E = Clearance for resleeving measured from center line



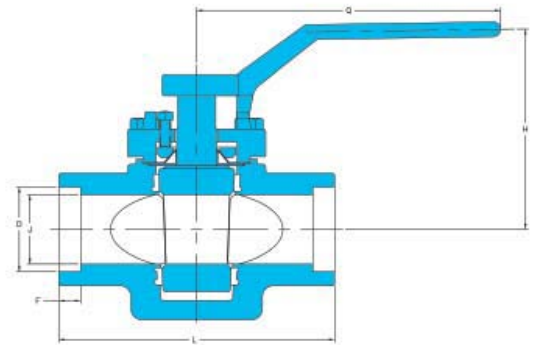
SIZE	L		H		Q		Weight		E	
	in	mm	in	mm	in	mm	kg	lbs	in	mm
1/2"	3.93	100.00	3.38	85.90	8.00	203.00	2	4.4		
3/4"	3.93	100.00	3.38	85.50	8.00	203.00	2	4.4		
1"	5.50	140.00	4.50	114.00	9.00	229.00	3	6.6		
1 1/2"	6.30	160.00	5.31	135.00	14.25	362.00	6	13.2		
2"	7.87	200.00	6.25	159.00	16.50	419.00	10	22.0		
2 1/2"			6.56	167.00	16.50	419.00				

2-WAY CLASS 150/300 LBS

Socket Weld Ends
Wrench Operated
Actuators Optional on All Sizes

Dimensions to ANSI B16.11

E = Clearance for resleeving measured from center line



SIZE	L		H		D		J		F		Q		Weight		E	
	in	mm	in	mm	in	mm	in	mm	in	mm	in	mm	kg	lbs	in	mm
1/2"	3.93	100.00	3.38	85.90	0.85	21.70	0.55	14.00	0.37	9.50	8.00	203.00	2	4.4		
3/4"	3.93	100.00	3.38	85.50	1.07	27.20	0.75	19.00	0.50	12.70	8.00	203.00	2	4.4		
1"	5.50	140.00	4.50	114.00	1.34	34.00	0.98	25.00	0.50	12.70	9.00	229.00	3	6.6		
1 1/2"	6.30	160.00	5.31	135.00	1.92	48.80	1.50	38.00	0.50	12.70	14.25	362.00	6	13.2		
2"	7.87	200.00	6.25	159.00	2.40	61.00	1.97	50.00	0.66	16.70	16.50	419.00	10	22		
2 1/2"			6.56	167.00							16.50	419.00				



Fig. F302 F



Fig. F152 F

FULL PORT PLUG VALVES

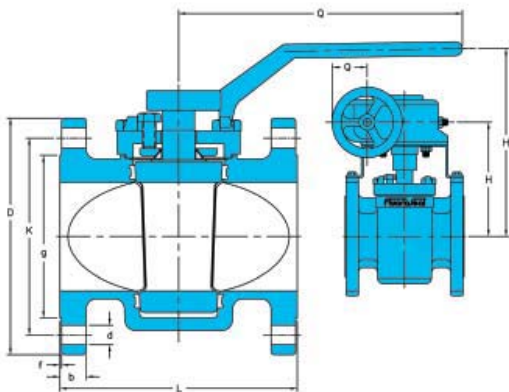
Do you like the design features of our standard port valves, but are concerned about flow restrictions?

Now, you have the best of two worlds:
FluoroSeal® proven design combined with non-restricted flow.

The new F Series is available in Classes 150, 300 and 600 lbs.

Size range from 1" to 10".

Same material offering as our standard valves.



FULL PORT CLASS 150 LBS

Flanged Ends
Wrench Operated
Actuators Optional on All Sizes

E = Clearance for resleeving measured from center line

EG = Enclosed gear operated

N = Number of holes

Two (2) top holes in flanges are tapped with UNC threads. See Hole-UNC column

SIZE	L		H		D		K		g		b		f		d		Q		Weight		E		N	Hole-UNC
	in	mm	in	mm	in	mm	in	mm	in	mm	in	mm	in	mm	in	mm	in	mm	kg	lbs	in	mm		
1/2"	4.25	108.00	3.38	85.90	3.50	88.90	2.38	60.50	1.38	35.10	0.37	9.40	0.06	1.52	0.62	15.70	8.00	203.00	2.3	5			4	
3/4"	6.00	152.40	-	-	3.75	95.30	2.75	69.90	1.69	42.90	0.62	15.70	0.06	1.52	0.62	15.70	-	-	-	-			4	
1"	6.50	165.10	5.06	128.6	4.88	124.00	3.12	79.20	2.00	50.80	0.69	17.50	0.06	1.52	0.62	15.70	14.25	362.00	-	-			4	
1 1/2"	7.50	190.50	5.81	147.50	6.12	155.40	3.88	98.60	2.88	73.20	0.81	20.60	0.06	1.52	0.62	15.70	16.50	419.00	-	-			4	
2"	8.50	215.90	9.25	235.00	6.50	165.10	4.75	120.7	3.62	91.90	0.88	22.40	0.06	1.52	0.75	19.10	23.63	600.00	-	-			4	
3"	11.13	282.70	9.25	235.00	8.25	209.60	6.00	152.40	5.00	127.00	1.12	28.40	0.06	1.52	0.75	19.10	23.63	600.00	-	-			4	
4"	12.00	304.80	11.00	279.40	10.00	254.00	7.50	190.50	6.19	157.20	1.25	31.80	0.06	1.52	0.75	19.10	9.75	248.00	-	-			8	
6"	22.00	558.80	-	-	12.50	317.50	9.50	241.30	8.50	215.90	1.44	36.60	0.06	1.52	0.88	22.40	-	-	-	-			8	
8"	27.00	685.80	17.81	452.50	15.00	381.00	11.75	298.50	10.62	269.70	1.62	41.10	0.06	1.52	0.88	22.40	13.75	349.00	-	-			8	
10"	13.00	330.20	14.91	378.74	16.00	406.40	14.25	361.95	12.75	323.85	1.12	28.45	0.06	1.52	1.00	25.40	19.50	495.30	-	-			12	

PLUG-ANSI-R001-2007

SLEEVED PLUG VALVES — 2-WAY

FULL PORT CLASS 300 LBS

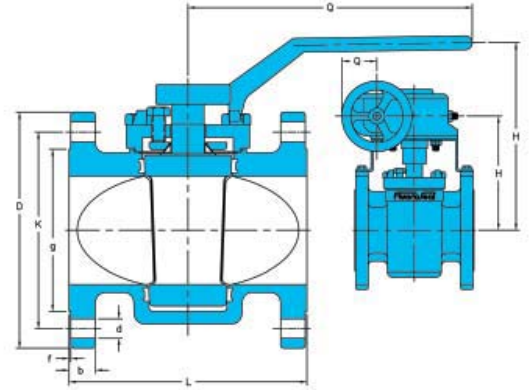
Flanged Ends
Wrench Operated
Actuators Optional on All Sizes

E = Clearance for resleeving measured from center line

EG = Enclosed gear operated

N = Number of holes

Two (2) top holes in flanges are tapped with UNC threads. See Hole-UNC column



SIZE	L		H		D		K		g		b		f		d		Q		Weight		E		N	Hole-UNC
	in	mm	in	mm	in	mm	in	mm	in	mm	in	mm	in	mm	in	mm	kg	lbs	in	mm	#			
1/2"	5.50	139.70	3.38	85.90	3.75	95.30	2.62	66.50	1.38	35.10	0.56	14.20	0.06	1.52	0.62	15.70	8.00	203.00	3.2	7			4	
3/4"	6.00	152.40	-	-	3.75	95.30	3.25	82.60	1.69	42.90	0.62	15.70	0.06	1.52	0.75	19.10	-	-	-	-			4	
1"	6.50	165.10	5.06	128.6	4.88	124.00	3.50	88.90	2.00	50.80	0.69	17.50	0.06	1.52	0.75	19.10	14.25	362.00	-	-			4	
1 1/2"	7.50	190.50	5.81	147.50	6.12	155.40	4.50	114.30	2.88	73.20	0.81	20.60	0.06	1.52	0.88	22.40	16.50	419.00	-	-			4	
2"	8.50	215.90	9.25	235.00	6.50	165.10	5.00	127.00	3.62	91.90	0.88	22.40	0.06	1.52	0.75	19.10	23.63	600.00	-	-			8	
3"	11.13	282.70	9.25	235.00	8.25	209.60	6.62	168.10	5.00	127.00	1.12	28.40	0.06	1.52	0.88	22.40	23.63	600.00	-	-			8	
4"	12.00	304.80	11.00	279.40	10.00	254.00	7.88	200.20	6.19	157.20	1.25	31.80	0.06	1.52	0.88	22.40	9.75	248.00	-	-			8	
6"	22.00	558.80	-	-	12.50	317.50	10.62	269.70	8.50	215.90	1.44	36.60	0.06	1.52	0.88	22.40	-	-	-	-			12	
8"	27.00	685.80	17.81	452.50	15.00	381.00	13.00	330.20	10.62	269.70	1.62	41.10	0.06	1.52	1.00	25.40	13.75	349.00	-	-			12	
10"	18.00	457.20	14.91	378.74	17.50	444.50	15.25	387.35	12.75	323.85	1.81	45.97	0.06	1.52	1.13	28.58	19.50	495.30	-	-			16	

FULL PORT CLASS 600 LBS

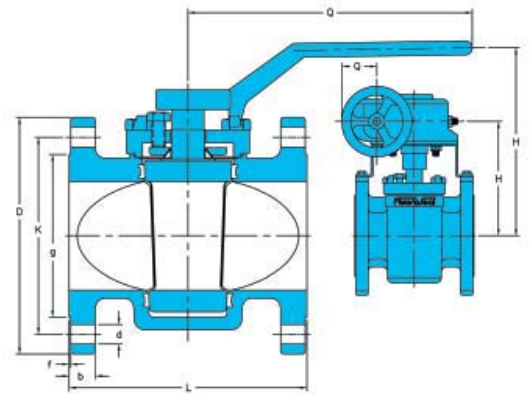
Flanged Ends
Wrench Operated
Actuators Optional on All Sizes

E = Clearance for resleeving measured from center line

EG = Enclosed gear operated

N = Number of holes

Two (2) top holes in flanges are tapped with UNC threads. See Hole-UNC column



SIZE	L		H		D		K		g		b		f		d		Q		Weight		E		N	Hole-UNC
	in	mm	in	mm	in	mm	in	mm	in	mm	in	mm	in	mm	in	mm	kg	lbs	in	mm	#			
1/2"	5.50	139.70	3.38	85.90	3.75	95.30			1.38	35.10	0.56	14.20	0.06	1.52			8.00	203.00						
3/4"	6.00	152.40	-	-	3.75	95.30			1.69	42.90	0.62	15.70	0.06	1.52			-	-						
1"	6.50	165.10	5.06	128.6	4.88	124.00			2.00	50.80	0.69	17.50	0.06	1.52			14.25	362.00						
1 1/2"	7.50	190.50	5.81	147.50	6.12	155.40			2.88	73.20	0.81	20.60	0.06	1.52			16.50	419.00						
2"	8.50	215.90	9.25	235.00	6.50	165.10			3.62	91.90	0.88	22.40	0.06	1.52			23.63	600.00						
3"	11.13	282.70	9.25	235.00	8.25	209.60			5.00	127.00	1.12	28.40	0.06	1.52			23.63	600.00						
4"	12.00	304.80	11.00	279.40	10.00	254.00			6.19	157.20	1.25	31.80	0.06	1.52			9.75	248.00						
6"	22.00	558.80	-	-	12.50	317.50			8.50	215.90	1.44	36.60	0.06	1.52			-	-						
8"	27.00	685.80	17.81	452.50	15.00	381.00			10.62	269.70	1.62	41.10	0.06	1.52			13.75	349.00						
10"	31.00	787.40	14.91	378.74	20.00	508.00	17.00	431.80	12.75	323.85	2.50	63.50	0.25	6.35	1.38	34.93	19.50	495.30					16	

PLUG-ANSI-R001-2007