

JACKETED PLUG VALVES

We are proud to offer our latest product, a Fully Jacketed Plug Valve with standard flanges. There's no more need to oversize the piping flanges, translating in tremendous savings to the user.

Among other features, the ease of installation allows any FluoroSeal® Plug Valve to be retrofitted in-line in process.

FluoroSeal® Plug Valves are also available with Partial Steam Jackets. Choose accordingly to the application requirements.

There's no limits to the possibilities: all our valves in all trim materials are available in either a two-way or multiport versions, with partial or full jackets.



Standard Full Jacket with Oversized Flanges



Full Jacket Using Valve Body Standard Flanges
(Jacket Pressure Rating Available in 150 & 300 lbs)

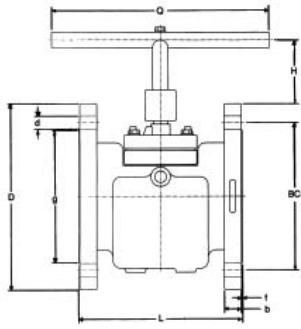


Partial Jacket Welded

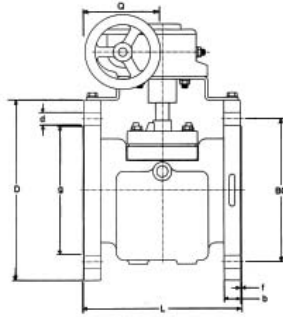


3-Way Full Jacket

PLUG-ANSI-R001-2007



Wrench Operated



Enclosed Gear Operated

FULLY JACKETED CLASS 150 LBS

E = Clearance for resleeving
EG = Enclosed gear operated
N = Number of holes

SIZE	L		H		D		K		g		b		f		d		Q		E		N
	in	mm	in	mm	in	mm	in	mm	in	mm	in	mm	in	mm	in	mm	in	mm	in	mm	#
2" x 1" x 2"	7.00	177.80	7.00	177.80	6.00	152.40	4.75	120.70	3.63	92.00	0.63	16.00	0.06	1.60	0.75	19.00	12.00	304.80			4
2 1/2" x 1 1/2" x 2 1/2"	8.00	203.20	7.63	193.70	7.50	190.50	5.50	139.70	4.13	104.60	0.75	19.00	0.06	1.60	0.75	19.00	16.00	406.40			4
3" x 2" x 3"	8.00	203.20	8.00	203.20	7.50	190.50	6.00	152.40	5.00	127.00	0.75	19.00	0.06	1.60	0.75	19.00	24.00	609.60			4
4" x 3" x 4"	9.00	228.60	9.00	228.60	9.00	228.60	7.50	190.50	6.19	157.20	0.94	23.90	0.06	1.60	0.75	19.00	24.00	609.60			8
6" x 4" x 6"	10.50	266.70	10.00	254.00	11.00	279.40	9.50	241.30	8.50	215.90	1.00	25.40	0.06	1.60	0.88	22.40	36.00	914.40			8
6" x 4" x 6" EG	10.50	266.70	11.50	292.10	11.00	279.40	9.50	241.30	8.50	215.90	1.00	25.40	0.06	1.60	0.88	22.40	9.00	228.60			8
8" x 6" x 8" EG	11.50	292.10			13.50	342.90	11.75	298.45	10.62	269.75	1.13	28.70	0.06	1.60	0.88	22.40	12.00	304.80			8
10" x 8" x 10" EG	13.00	330.20			16.00	406.40	14.25	361.95	12.75	323.85			0.06	1.60	1.00	25.40					
12" x 10" x 12" EG	14.00	355.60			19.00	482.60	17.00	431.80	15.00	381.00			0.06	1.60	1.00	25.40					
14" x 12" x 14" EG	16.00	406.40			23.50	596.90	21.25	539.75	18.50	469.90			0.06	1.60	1.12	28.45					
? x 14" x ?" EG																					
? x 16" x ?" EG																					
? x 18" x ?" EG																					

FULLY JACKETED CLASS 300 LBS

E = Clearance for resleeving
EG = Enclosed gear operated
N = Number of holes

SIZE	L		H		D		K		g		b		f		d		Q		E		N
	in	mm	in	mm	in	mm	in	mm	in	mm	in	mm	in	mm	in	mm	in	mm	in	mm	#
2" x 1" x 2"	8.15	215.90	5.00	127.00	6.50	165.10	5.00	127.00	3.63	92.00	0.88	22.40	0.06	1.60	0.75	19.00	12.00	304.80			8
2 1/2" x 1 1/2" x 2 1/2"	11.13	282.70	5.31	135.00	8.25	209.60	5.88	149.40	4.13	104.60	1.13	28.70	0.06	1.60	0.88	22.40	16.00	406.40			8
3" x 2" x 3"	11.13	282.70	5.31	135.00	8.25	209.60	6.63	168.40	5.00	127.00	1.13	28.70	0.06	1.60	0.88	22.40	24.00	609.60			8
4" x 3" x 4"	12.00	304.80	6.10	155.00	10.00	254.00	7.88	200.20	6.19	157.20	1.25	31.80	0.06	1.60	0.88	22.40	24.00	609.60			8
6" x 4" x 6"	15.88	403.40	11.50	292.00	12.50	317.50	10.63	270.00	8.50	215.90	1.44	36.60	0.06	1.60	0.88	22.40	36.00	914.40			12
6" x 4" x 6" EG	15.88	403.40			12.50	317.50	10.63	270.00	8.50	215.90	1.44	36.60	0.06	1.60	0.88	22.40					12
8" x 6" x 8"	16.50	419.10			15.00	381.00	13.00	330.20	10.62	269.75			0.06	1.60	1.00	25.40					
10" x 8" x 10"	18.00	457.20			17.50	444.50	15.25	387.35	12.75	323.85			0.06	1.60	1.12	28.45					
12" x 10" x 12"	19.75	501.65			20.50	520.70	17.75	450.85	15.00	381.00			0.06	1.60	1.25	31.75					
14" x 12" x 14"	24.00	609.60			25.50	647.70	22.50	571.50	18.50	469.90			0.06	1.60	1.38	35.05					
? x 14" x ?"																					
? x 16" x ?"																					
? x 18" x ?"																					

FULLY JACKETED CLASS 600 LBS

E = Clearance for resleeving
EG = Enclosed gear operated
N = Number of holes

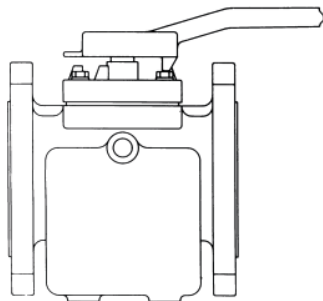
SIZE	L		H		D		K		g		b		f		d		Q		E		N
	in	mm	in	mm	in	mm	in	mm	in	mm	in	mm	in	mm	in	mm	in	mm	in	mm	#
2" x 1" x 2"																					
2 1/2" x 1 1/2" x 2 1/2"																					
3" x 2" x 3"																					
4" x 3" x 4"																					
6" x 4" x 6"																					
6" x 4" x 6" EG																					
8" x 6" x 8"																					
10" x 8" x 10"																					
12" x 10" x 12"																					
14" x 12" x 14"																					
? x 14" x ?"																					
? x 16" x ?"																					
? x 18" x ?"																					

PARTIALLY JACKETED PLUG VALVES

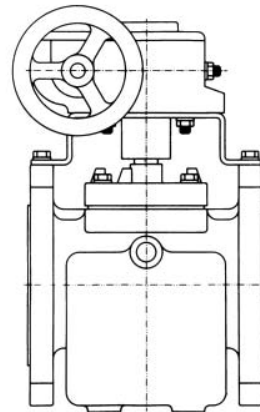
Heat dissipation due to the partial insulating effect of the PTFE sleeve, combined with the basic plug valve design, provides a more uniform heat flange-to-flange with a partial jacket than with a full jacket. Therefore, a partial jacket should be selected for most applications.

Refer to standard valves for dimensional data. Available in sizes 1" to 18".

PARTIALLY JACKETED 2-WAY CLASS 150, 300 & 600 LBS

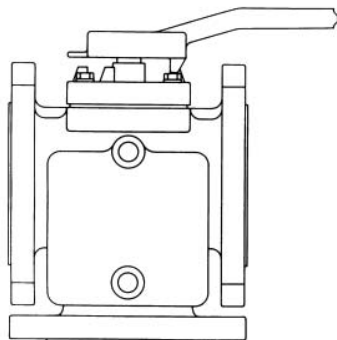


1" to 4"
Wrench Operated

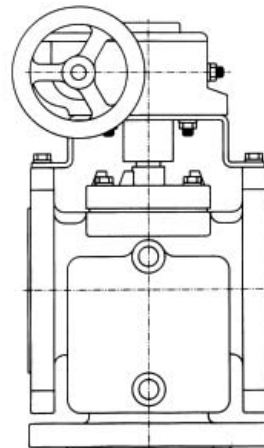


4" to 12"
Enclosed Gear Operated

PARTIALLY JACKETED MULTIPORT CLASS 150, 300 & 600 LBS



1" to 4"
Wrench Operated



4" to 8"
Enclosed Gear Operated

JACKET INLET OUTLET AND DRAIN CONNECTIONS

VALVE SIZE	1"		1 1/2"		2"		3"		4"		6"		8"		10"		12"	
	in	mm	in	mm	in	mm	in	mm	in	mm	in	mm	in	mm	in	mm	in	mm
NPT	3/8	9.53	1/2	12.70	1/2	12.70	1/2	12.70	1/2	12.70	1	25.40	1	25.40	1	25.40	1	25.40