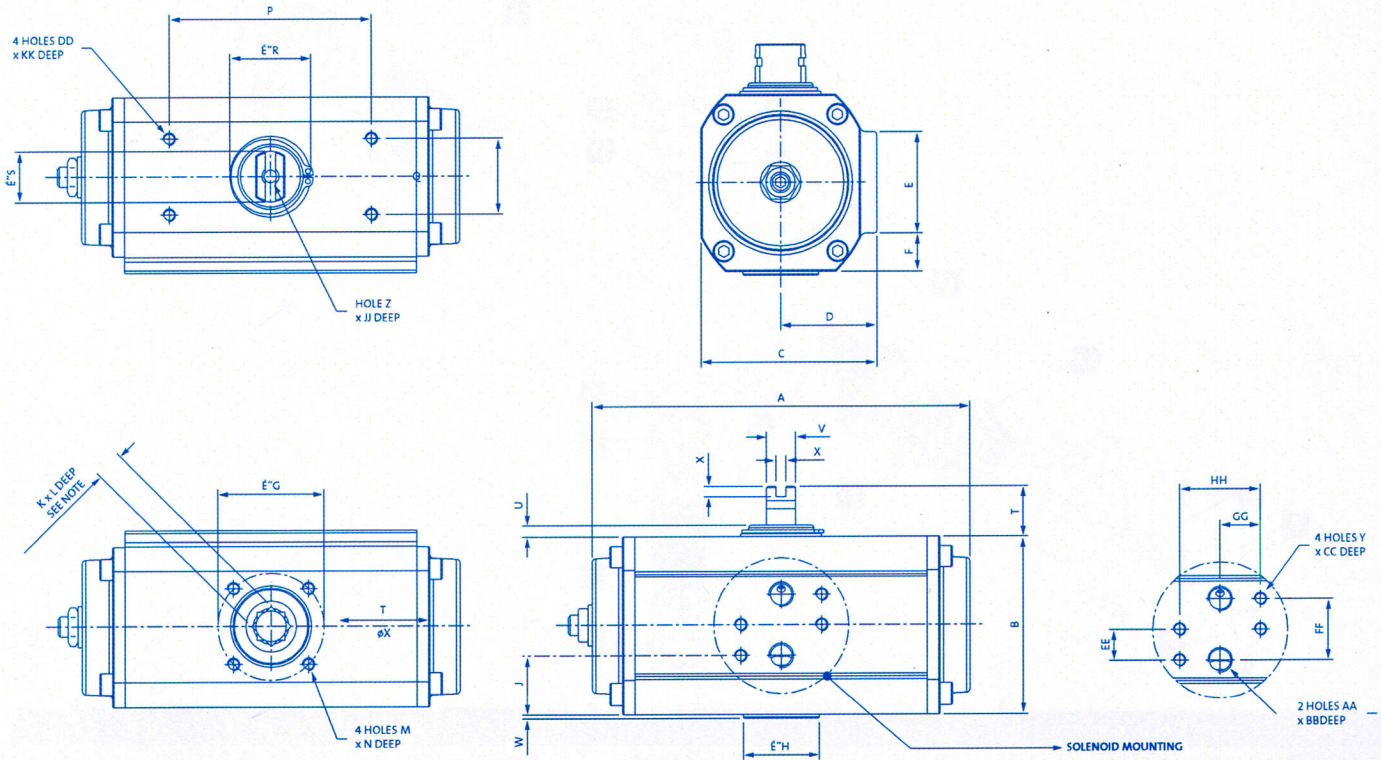




TRU TORQ

TruTorq Actuator Size 3 F03 and 5 F05



■ Dimensions

Metric

		A	B	C	D	E	F	øG	H	J	K	L	M	N	P	Q	øR	øS
Size TT3	F04	149.5	70	69.5	38	40	15	42	30	23	11	12	M5	8	80	30	32	20
Size TT5	F05	186.5	87	90.5	49	40	26.5	50	35	34.5	14	15	M6	10	80	30	32	20

		T	U	V	W	X	Y	Z	AA	BB	CC	DD	EE	FF	GG	HH	JJ	KK
Size TT3	F04	20	4.5	11.5	1.5	4	M5	M6	G ¹ / ₈ "	10	8	M5	12	24	16	32	12	8
Size TT5	F05	20	4.5	11.5	3	4	M5	M6	G ¹ / ₈ "	10	8	M5	12	24	16	32	12	8

Imperial

		A	B	C	D	E	F	øG	H	J	K	L	M(UNC)	N	P	Q	øR	øS
Size TT3	F04	5.89	2.76	2.74	1.50	1.57	0.59	1.65	1.18	0.91	0.43	0.47	10-24	0.31	3.15	1.18	1.26	0.79
Size TT5	F05	7.34	3.43	3.56	1.93	1.57	1.04	1.97	1.38	1.36	0.55	0.59	1/4-20	0.39	3.15	1.18	1.26	0.79

		T	U	V	W	X	Y(UNF)	Z	AA	BB	CC	DD(UNF)	EE	FF	GG	HH	JJ	KK
Size TT3	F04	0.79	0.18	0.45	0.06	0.16	10-32	M6	NPT ¹ / ₈ "	0.39	0.31	10-32	0.47	0.94	0.63	1.26	0.47	0.31
Size TT5	F05	0.79	0.18	0.45	0.12	0.16	10-32	M6	NPT ¹ / ₈ "	0.39	0.31	10-32	0.47	0.98	0.63	1.26	0.47	0.31

■ Torque

Model	Air Supply		DA Torque	SR Torque				
	bar	psi		Air-Start	Air-End	Spring-Start	Spring-End	Spring Quantity
TT3	6		23.7	15.6	8	15.70	8	12
TT5	6		50.7	32.70	18.10	32.6	18	12
TT3		80	192	127	64	126	65	11
TT5		80	412	265	147	265	146	11

■ Basic Operating Details

TDA = Double Acting
 Port 'A' = Air To Open (Anti-Clockwise)
 Port 'B' = Air To Close (Clockwise)

TSR = Spring Return
 Port 'A' = Air To Open (Anti-Clockwise compressing springs)
 Port 'B' = Spring To Close (Clockwise)

Fail Safe Open = Rotate Pistons 180° About Own Axis
 Drive Medium = Air (Dry or Lubricated); Non Corrosive Gas; Light Hydraulic Oil
 Temperature = Buna Nitrile 'O' Seals -20 to +80°C or -4 to +176°F

Actuator Size	Operating Time				Air Consumption				Overall Weight				Sol. VV Min. Cv
	DA Open	DA Close	SR Open	SR Close	Open (l)	Close (l)	Open (ci)	Close (ci)	DA Kg	SR Kg	DA lbs	SR lbs	
3	<1	<1	<1	<1	0.09	0.12	5.49	7.32	1.0	1.1	2.2	2.4	0.2
5	<1	<1	<1	<1	0.18	0.24	10.98	14.65	1.8	1.9	4.0	4.2	0.2