

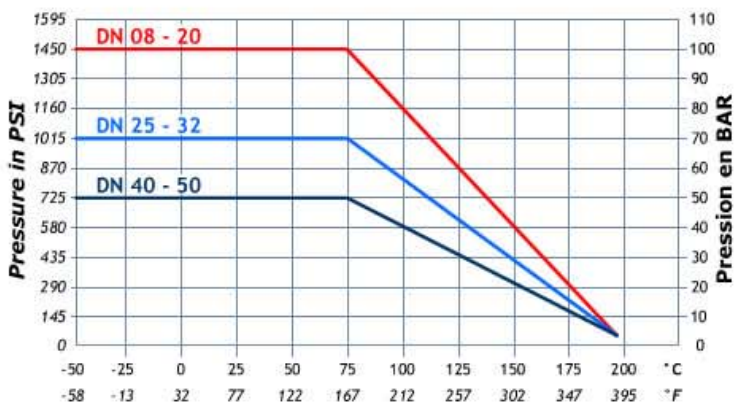
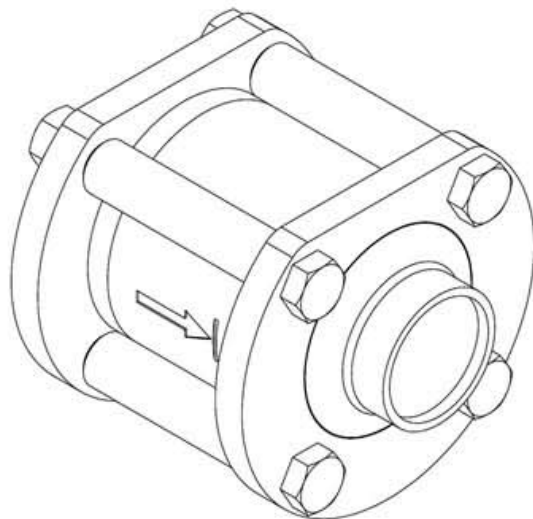
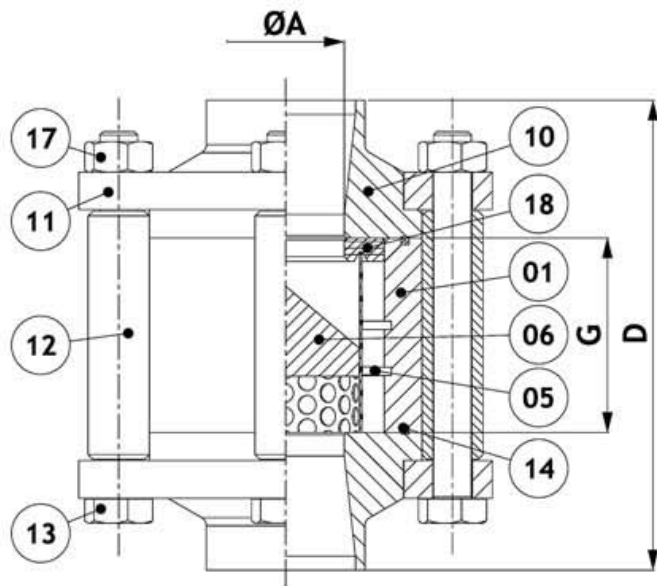
## ○ Filtre

DN 08 à 50  
Passage intégral et réduit

## ○ Filter

Size 1/4" to 2"  
Reduced / Full bore

FL4



| DN        |              | PN  | ØA   | D   | G    |
|-----------|--------------|-----|------|-----|------|
| N<br>Full | V<br>Reduced |     |      |     |      |
| 08-12     | 15           | 100 | 11   | 65  | 20,4 |
| 15        | 20           | 100 | 14,2 | 70  | 24,4 |
| 20        | 25           | 100 | 21   | 85  | 31,6 |
| 25        | 32           | 70  | 25   | 100 | 41,4 |
| 32        | 40           | 70  | 32   | 110 | 48,2 |
| 40        | 50           | 50  | 38   | 125 | 56,2 |
| 50        | 65           | 50  | 50   | 150 | 71,0 |

| N° | Nb | Description         | Matière (EN) | Item | Qty | Description                              | Material (ASTM) |
|----|----|---------------------|--------------|------|-----|--|-----------------|
| 01 | 1  | Corps               | 1.4404       | 01   | 1   | Body                                     | 316L            |
| 05 | 1  | Jonc CERCLAM        | 1.4401       | 05   | 1   | Circlip CERCLAM                          | 316             |
| 06 | 1  | Cartouche filtrante | 1.4404       | 06   | 1   | Filter element size 3/8" to 3/4": 0,45mm | 316L            |
|    |    | DN25 à 50: 0,80mm   |              |      |     | Filter element size 1" to 2": 0,80mm     |                 |
| 10 | 2  | Embouts libres      | 1.4404       | 10   | 2   | Loose end                                | 316L            |
| 11 | 2  | Brides tournantes   | 1.4307       | 11   | 2   | Body flange                              | 304L            |
| 12 | 4  | Entretoises         | PTFE         | 12   | 4   | Distance piece                           | PTFE            |
| 13 | 4  | Vis TH              | 1.4301       | 13   | 4   | Screw TH                                 | 304             |
| 14 | 2  | Joints de corps     | PTFE         | 14   | 2   | Body seal                                | PTFE            |
| 17 | 4  | Écrous de serrage   | 1.4301       | 17   | 4   | Nut screw                                | 304             |
| 18 | 1  | Joint de cartouche  | PTFE         | 18   | 1   | Filter seal                              | PTFE            |

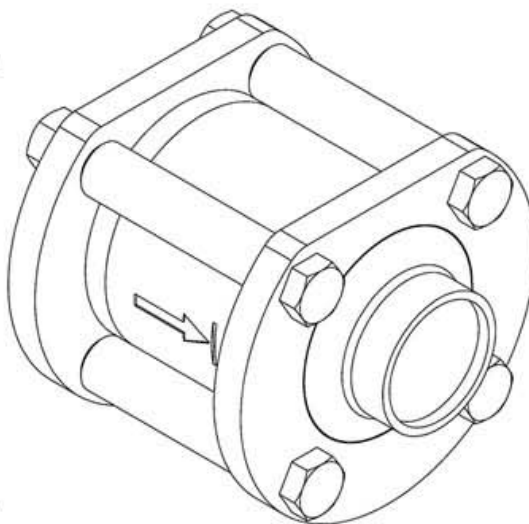
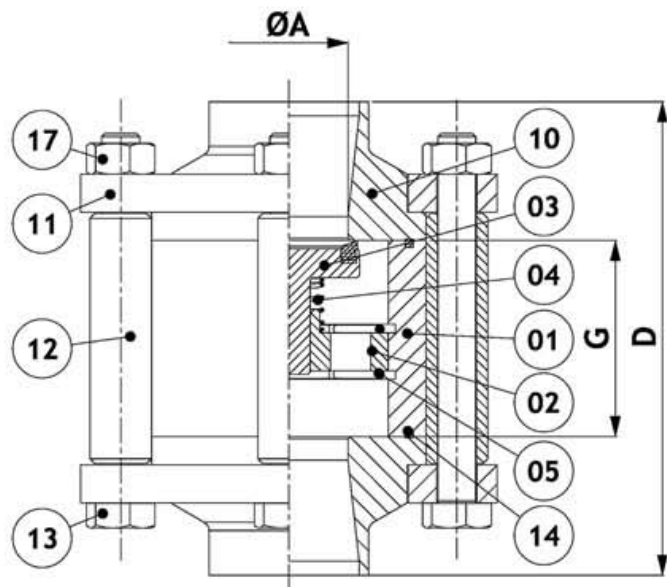
## Clapet

DN 08 à 50  
Passage intégral et réduit  
Montage vertical

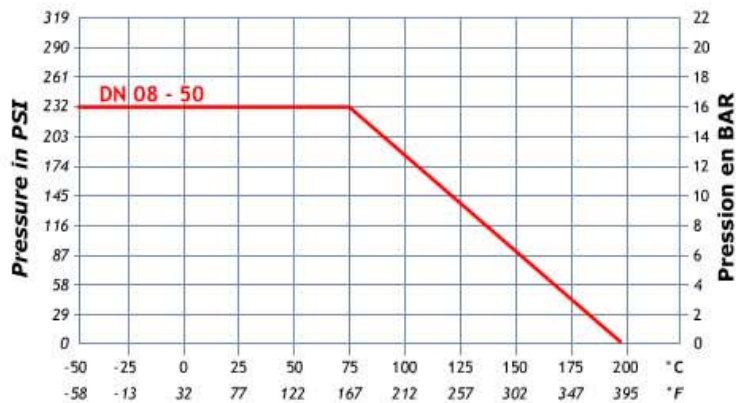
CL4

## Check valve

Size 1/4" to 2"  
Reduced / Full bore  
Vertical mounting



Nota: exécution d'embouts spécifiques avec finitions par rodage de la face d'appui du clapet  
Note: do not use standard ends on CL4



Pression de décollement  
0.4 à 0.6 bars

| N     | DN   |         | ØA  | D    | G |
|-------|------|---------|-----|------|---|
|       | Full | Reduced |     |      |   |
| 08-12 | 15   | 11      | 65  | 20,4 |   |
| 15    | 20   | 14,2    | 70  | 24,4 |   |
| 20    | 25   | 21      | 85  | 31,6 |   |
| 25    | 32   | 25      | 100 | 41,4 |   |
| 32    | 40   | 32      | 110 | 48,2 |   |
| 40    | 50   | 38      | 125 | 56,2 |   |
| 50    | 65   | 50      | 150 | 71,0 |   |

Opening pressure  
6 to 9 psi

| N° | Nb | Description       | Matière (EN)  | Item | Qty | Description     | Material (ASTM) |
|----|----|-------------------|---------------|------|-----|-----------------|-----------------|
| 01 | 1  | Corps             | 1.4404        | 01   | 1   | Body            | 316L            |
| 02 | 1  | Guide de clapet   | 1.4404        | 02   | 1   | Plate guide     | 316L            |
| 03 | 1  | Clapet            | 1.4404 + PTFE | 03   | 1   | Disc            | 316L + PTFE     |
| 04 | 1  | Ressort de clapet | 1.4401        | 04   | 1   | Spring          | 316             |
| 05 | 2  | Jonc CERCLAM      | 1.4401        | 05   | 2   | Circlip CERCLAM | 316             |
| 10 | 2  | Embouts libres    | 1.4404        | 10   | 2   | Loose end       | 316L            |
| 11 | 2  | Brides tournantes | 1.4307        | 11   | 2   | Body flange     | 304L            |
| 12 | 4  | Entretoises       | PTFE          | 12   | 4   | Distance piece  | PTFE            |
| 13 | 4  | Vis TH            | 1.4301        | 13   | 4   | Screw TH        | 304             |
| 14 | 2  | Joints de corps   | PTFE          | 14   | 2   | Body seal       | PTFE            |
| 17 | 4  | Écrous de serrage | 1.4301        | 17   | 4   | Nut screw       | 304             |

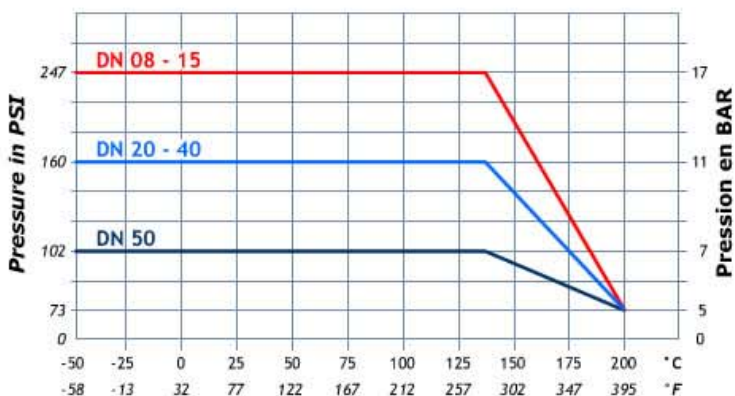
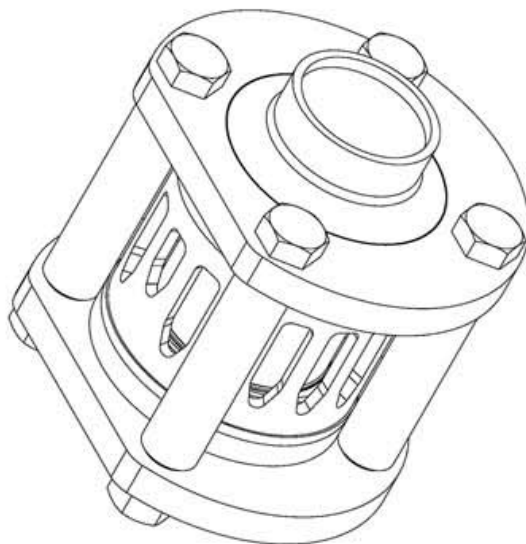
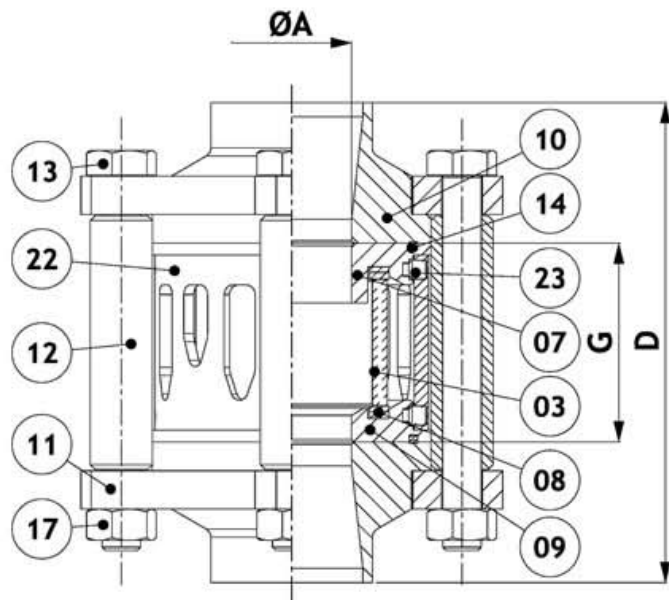
## ○ Viseur

DN 08 à 50  
Passage intégral et réduit  
Cartouche précontrainte

VC4

## ○ Sight glass

Size 1/4" to 2"  
Reduced / Full bore  
Pre-stressed cartridge



| DN     |           | PN | ØA   | D   | G    | PS bars |
|--------|-----------|----|------|-----|------|---------|
| N Full | V Reduced |    |      |     |      |         |
| 08-12  | 15        | 17 | 10,5 | 65  | 20,4 | 17      |
| 15     | 20        | 17 | 14   | 70  | 24,4 | 17      |
| 20     | 25        | 11 | 19   | 85  | 31,6 | 11      |
| 25     | 32        | 11 | 25   | 100 | 41,4 | 11      |
| 32     | 40        | 11 | 32   | 110 | 48,2 | 12      |
| 40     | 50        | 11 | 38   | 125 | 56,2 | 11      |
| 50     | 65        | 7  | 50   | 150 | 71,0 | 7,5     |

| N° | Nb | Description        | Matière (EN)         | Item | Qty | Description       | Material (ASTM)    |
|----|----|--------------------|----------------------|------|-----|-------------------|--------------------|
| 03 | 1  | Verre              | PYREX                | 03   | 1   | Glass             | PYREX              |
| 07 | 1  | Flasque supérieure | 1.4404               | 07   | 1   | Seal holder       | 316L               |
| 08 | 2  | Joint de verre     | PTFE Microcellulaire | 08   | 2   | Glassseal         | Microcellular PTFE |
| 09 | 1  | Flasque inférieure | 1.4404               | 09   | 1   | Upper seal holder | 316L               |
| 10 | 2  | Embouts libres     | 1.4404               | 10   | 2   | Loose end         | 316L               |
| 11 | 2  | Brides tournantes  | 1.4307               | 11   | 2   | Body flange       | 304L               |
| 12 | 4  | Entretoises        | PTFE                 | 12   | 4   | Distance piece    | PTFE               |
| 13 | 4  | Vis TH             | 1.4301               | 13   | 4   | Screw TH          | 304                |
| 14 | 2  | Joints de corps    | PTFE                 | 14   | 2   | Body seal         | PTFE               |
| 17 | 4  | Écrous de serrage  | 1.4301               | 17   | 4   | Nut screw         | 304                |
| 22 | 1  | Pare éclats        | 1.4404               | 22   | 1   | Protector         | 316L               |
| 23 | 8  | Vis HC             | 1.4301               | 23   | 8   | Screw HC          | 304                |