

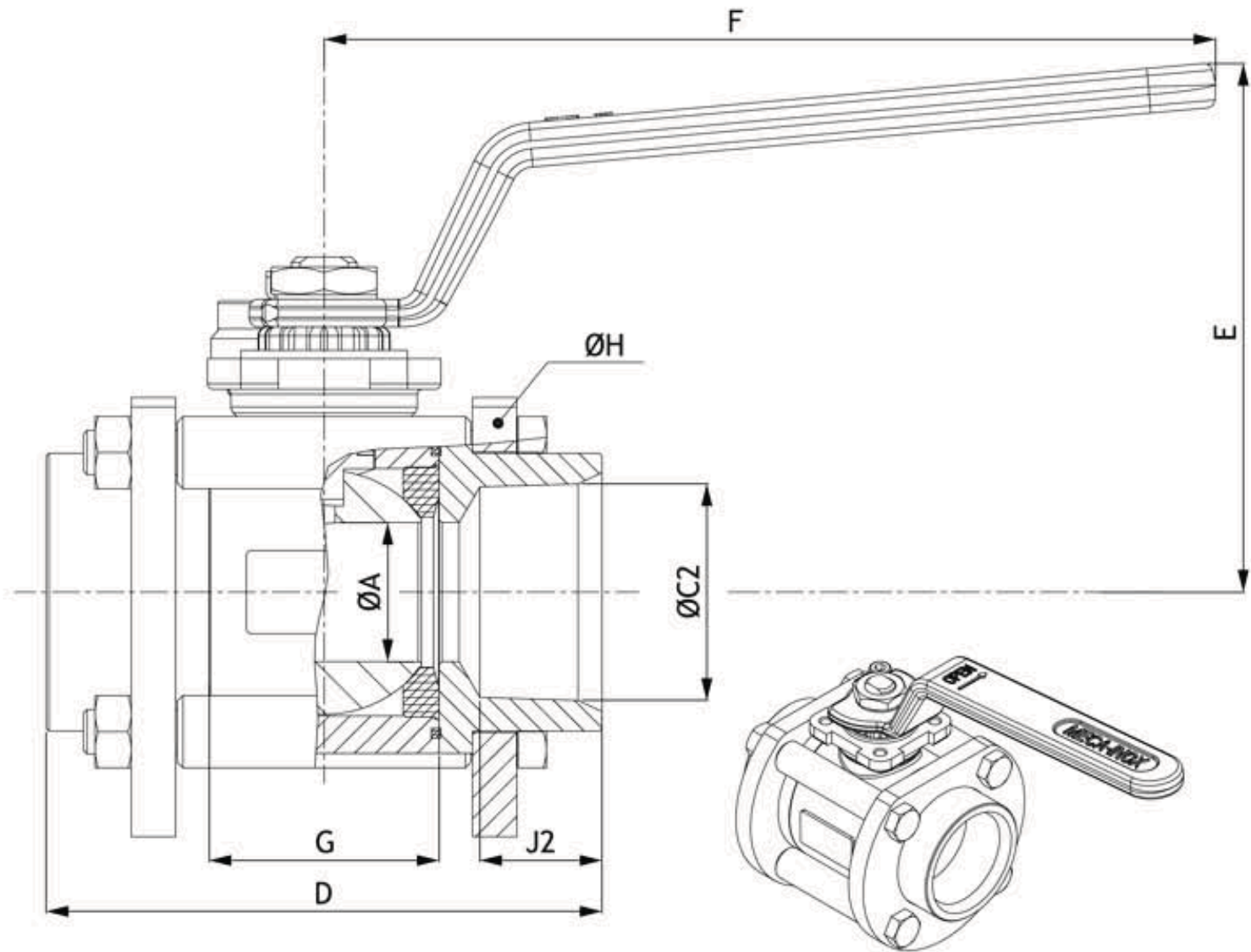
PS4 TG (BSP) / PS4 TB (NPT)

Gewinde BSP u. NPT

BSP & NPT thread

DN 15 bis 65
Reduzierter Durchgang

Size 1/2" to 2"1/2
Reduced bore



Reduzierter Durchgang

V

Reduced bore

DN Size	PN	ØA	ØC2		D	E	F	G	ØH	J2	ISO 5211	Gewicht (kg) Weight (Kg)
			GAS BSP "P"	NPT NPT								
15	1/2"	100	11,1	1/2"	65	70	120	20,4	56	16	F03	0,640
20	3/4"	100	14	3/4"	70	73	120	24,4	63	16	F03	0,800
25	1"	70	19	1"	85	91	160	31,6	80	20	F04	1,600
32	1"1/4	70	25	1"1/4	100	95	160	41,4	88	22	F04	2,050
40	1"1/2	50	32	1"1/2	110	111	190	48,2	104	22	F05	3,270
50	2"	50	38	2"	125	116	190	56,2	117	25	F05	4,160
65	2"1/2	50	50	2"1/2	150	137	230	71	148	30	F07	7,730

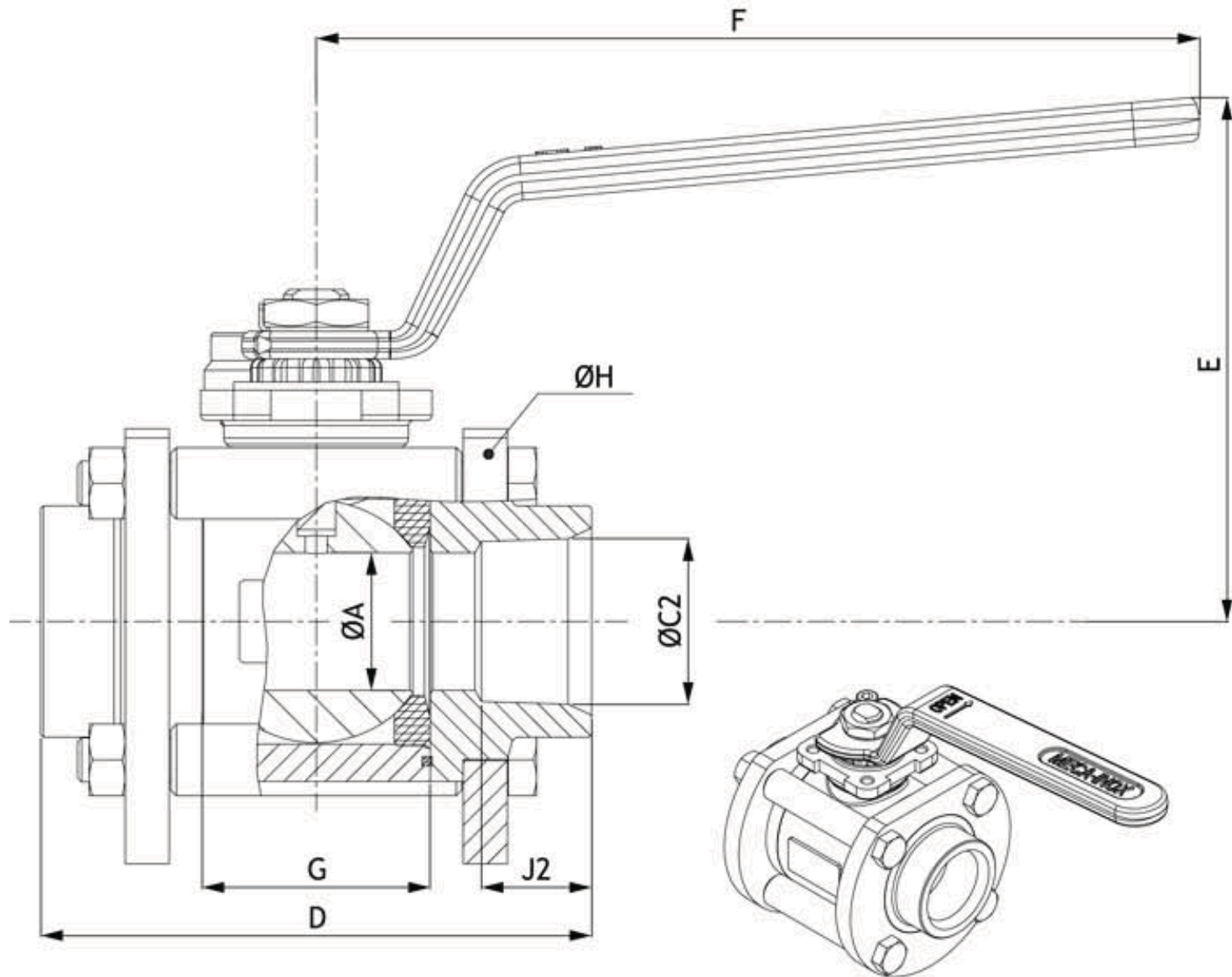
PS4 TG (BSP) / PS4 TB (NPT)

Gewinde BSP u. NPT

BSP & NPT thread

DN 08 bis 50
Voller Durchgang

Size 1/4" to 2"
Full bore



Voller Durchgang

N

Full bore

DN Size	PN	ØA	ØC2		D	E	F	G	ØH	J2	ISO 5211	Gewicht (kg) Weight (Kg)
			GAS BSP "P"	NPT NPT								
08	1/4"	100	11,1	1/4"	65	70	120	20,4	56	12	F03	0,700
12	3/8"	100	11,1	3/8"	65	70	120	20,4	56	12	F03	0,680
15	1/2"	100	14	1/2"	70	73	120	24,4	63	16	F03	0,980
20	3/4"	100	19	3/4"	85	91	160	31,6	80	16	F04	1,690
25	1"	70	25	1"	100	95	160	41,4	88	20	F04	2,120
32	1 1/4"	70	32	1 1/4"	110	111	190	48,2	104	22	F05	3,320
40	1 1/2"	50	38	1 1/2"	125	116	190	56,2	117	22	F05	4,380
50	2"	50	50	2"	150	137	230	71	148	25	F07	8,840

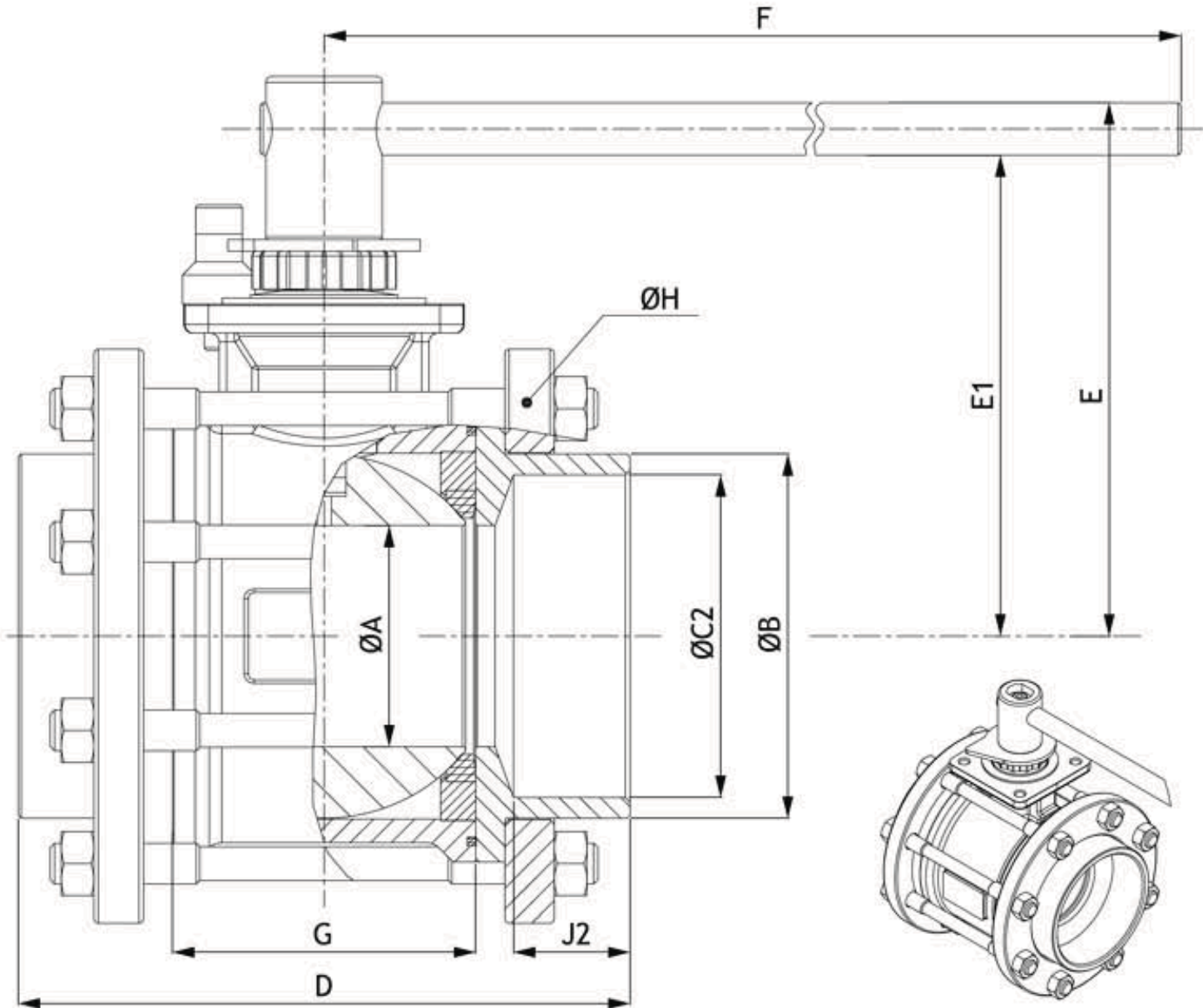
PS4 TG (BSP) / PS4 TB (NPT)

Gewinde BSP u. NPT

DN 80 bis 100
Reduzierter Durchgang

BSP & NPT thread

Size 3" to 4"
Reduced bore



Reduzierter Durchgang		V		Reduced bore											
DN Size	PN	ØA	ØB	ØC2		D	E	E1	F	G	ØH	J2	ISO 5211	Gewicht (kg) Weight (Kg)	
				GAS BSP "P"	NPT NPT										
80	3"	40	64	107	3"	3"	180	171	153	370	84	174	34	F07	14,940
100	4"	40	76	125	4"	4"	210	182	165	440	104	197	40	F10	21,590

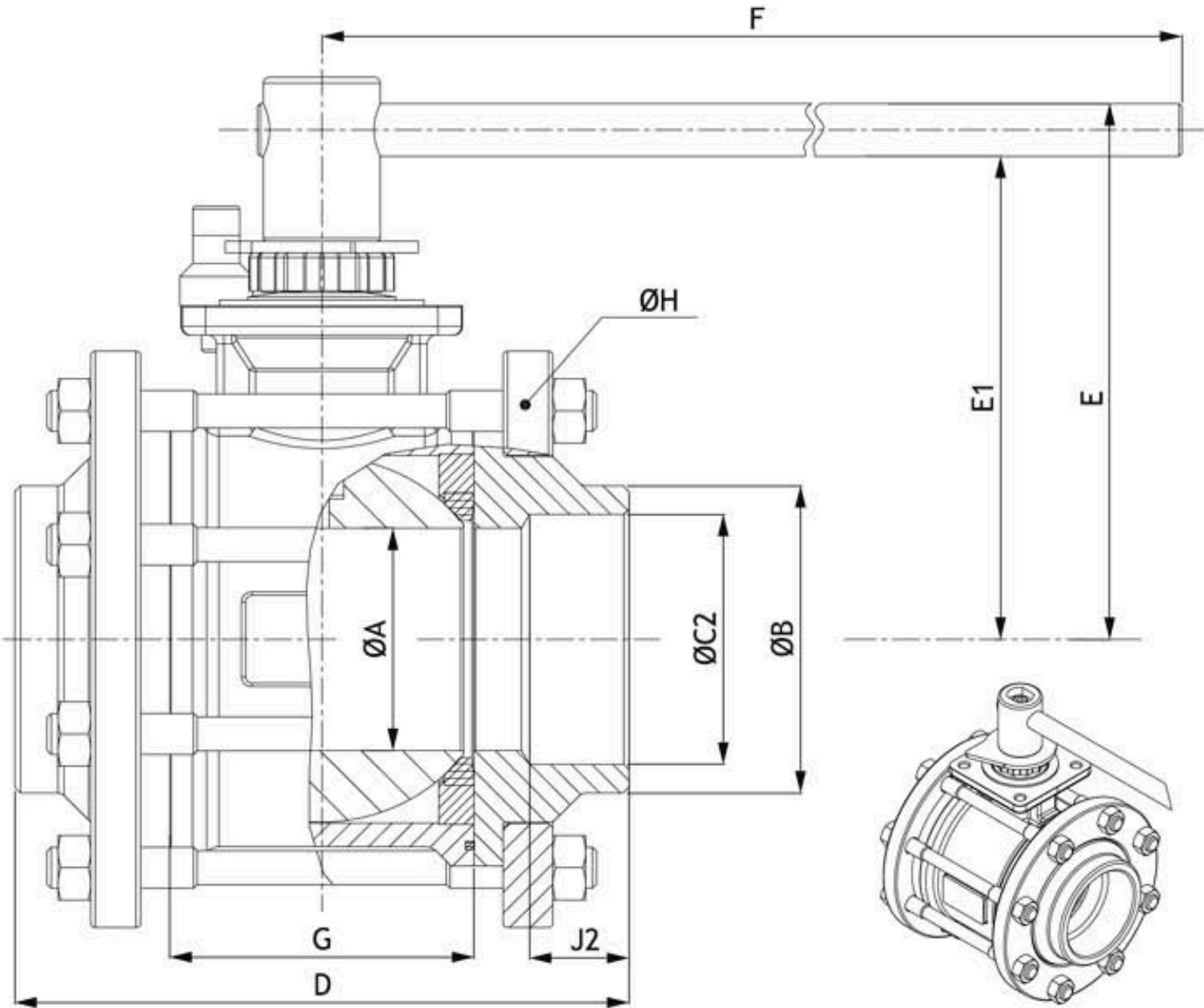
PS4 TG (BSP) / PS4 TB (NPT)

Gewinde BSP u. NPT

DN 65 bis 100
Voller Durchgang

BSP & NPT thread

Size 2"1/2 to 4"
Full bore



Voller Durchgang

N

Full bore

DN Size	PN	ØA	ØB	ØC2		D	E	E1	F	G	ØH	J2	ISO 5211	Gewicht (kg) Weight (Kg)	
				GAS BSP "P"	NPT NPT										
65	2"1/2	40	64	85	2"1/2	2"1/2	180	171	153	370	84	174	31	F07	15,000
80	3"	40	76	105	3"	3"	210	182	165	440	104	197	34	F10	22,950
100	4"	25	100	130	4"	4"	230	204	184	505	130	236	40	F10	34,740